

LOAD CHARTS



ELLIOTT

EQUIPMENT COMPANY

MODEL 4000

142-ft BOOM

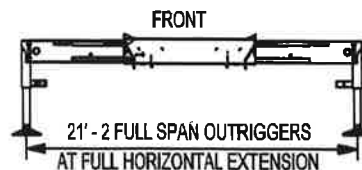
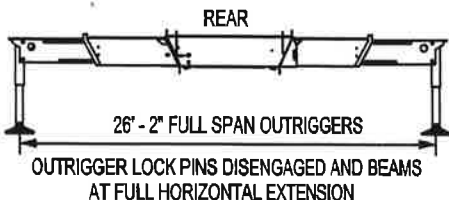
MAIN BOOM LOAD RATINGS WITH FULLY EXTENDED OUTRIGGERS

LMI MODE: NONE

MAIN BOOM LOAD RATINGS

LOAD RATINGS IN lbs WITH OUTRIGGERS AND STABILIZERS EXTENDED

LOAD RADIUS IN FEET	LOADED BOOM ANGLE	34-ft	LOADED BOOM ANGLE	A 47-ft	LOADED BOOM ANGLE	B 61-ft	LOADED BOOM ANGLE	C 74-ft	LOADED BOOM ANGLE	D 88-ft	LOADED BOOM ANGLE	E 101-ft	LOADED BOOM ANGLE	F 115-ft	LOADED BOOM ANGLE	G 128-ft	LOADED BOOM ANGLE	H 142-ft	
7	75.4	80,000																	
8	73.2	75,000																	
10	71.0	66,500	76.7	43,000															
12	67.3	56,100	74.3	43,000	79.1	43,000													
15	61.7	49,000	70.5	43,000	76.3	42,400	79.5	36,600											
20	50.9	35,500	63.6	34,000	71.4	34,000	75.7	31,700	78.7	24,900									
25	38.1	24,700	56.0	25,000	66.3	25,700	71.5	26,000	75.2	21,000	77.8	17,500							
30	19.3	18,300	47.8	18,800	60.6	19,250	67.2	19,300	71.7	18,400	75.0	16,000	77.5	13,400	79.3	11,500			
35			38.0	14,500	54.5	14,800	62.8	15,000	68.1	15,000	72.0	14,400	75.0	11,800	77.0	10,100	79.1	6,600	
40			25.2	11,500	48.0	11,800	58.0	12,000	64.4	12,000	68.8	12,200	72.2	10,700	74.9	8,900	77.0	6,600	
45					40.7	9,600	52.9	9,800	60.6	9,900	65.6	10,000	69.8	9,400	72.6	8,100	74.8	6,600	
50					31.9	7,800	47.3	8,000	56.5	8,100	62.3	8,200	67.0	8,300	70.1	7,400	72.7	5,900	
55					19.8	6,500	41.2	6,600	52.3	6,700	59.1	6,800	64.2	6,900	67.6	6,500	70.5	5,300	
60							34.9	5,400	48.0	5,500	55.5	5,600	61.2	5,800	65.0	5,800	68.3	4,800	
65							26.4	4,400	43.0	4,500	51.8	4,700	58.1	4,700	62.4	4,800	65.9	4,300	
70							12.9	3,500	37.3	3,650	47.6	3,800	55.0	3,700	59.7	3,800	63.6	3,900	
75									30.8	2,900	43.1	3,000	54.6	3,000	56.9	3,100	61.2	3,200	
80									22.5	2,200	38.2	2,300	47.8	2,400	54.0	2,400	58.7	2,500	
85											32.7	1,750	43.8	1,850	50.8	2,000	56.2	2,000	
90											26.1	1,250	39.6	1,400	47.4	1,500	53.5	1,500	
95											17.1	800	34.9	1,000	43.8	1,100	50.7	1,100	
100													29.6	600	40.0	700	47.6	750	
105															35.8	500	44.3	500	
	0	16,000	0	9,550	0	5,600	0	3,300	0	1,650	0	500							
DEDUCTIONS FOR STOWED EXTENDABLE JIB (lbs)		950		700		550		450		400		350		300		250		200	DEDUCTIONS FOR STOWED EXTENDABLE JIB (lbs)

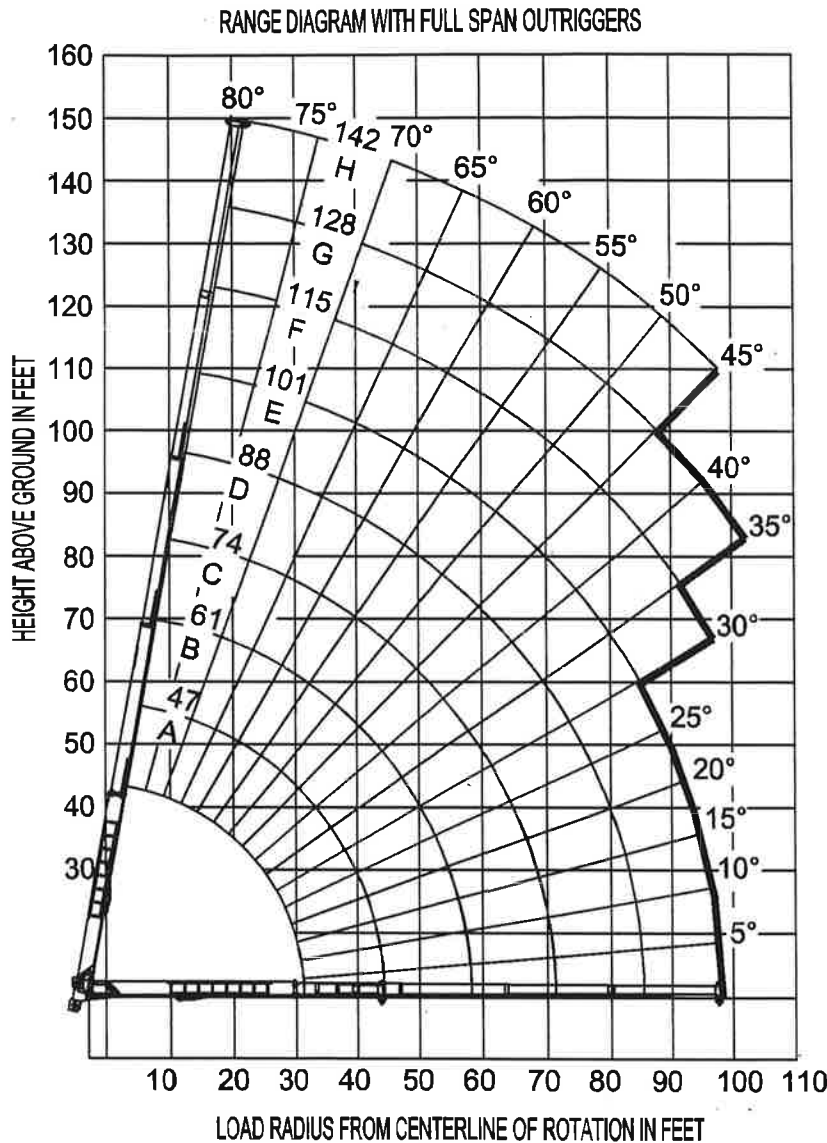


ELLIOTT EQUIPMENT CO. SUPPLIED LOADLINE EQUIPMENT DEDUCTIONS:

- DOWNHAUL WEIGHT.....210 lbs
- ONE SHEAVE BLOCK.....424 lbs
- TWO SHEAVE BLOCK.....592 lbs
- THREE SHEAVE BLOCK.....639 lbs
- FOUR SHEAVE BLOCK.....762 lbs
- AUXILIARY SHEAVE.....100 lbs

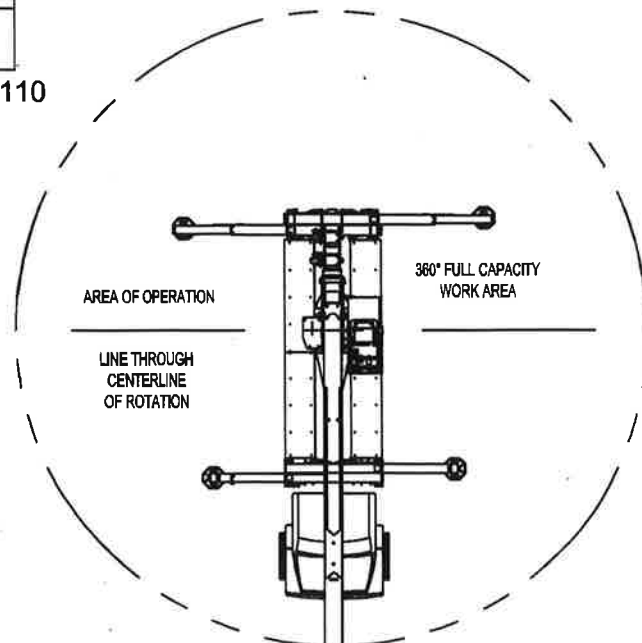
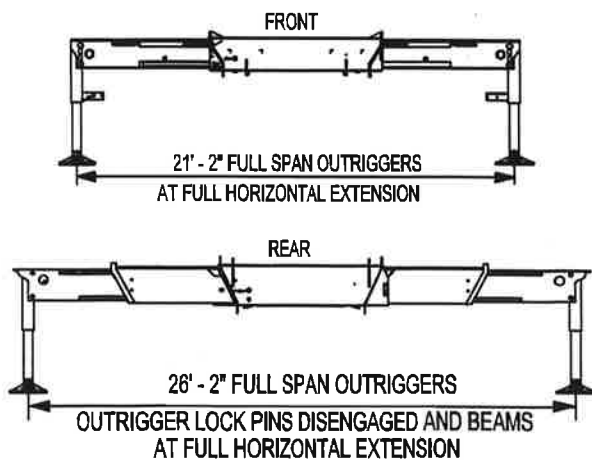
RANGE DIAGRAM WITH FULLY EXTENDED OUTRIGGERS

LMI MODE: NONE



NOTE:

1. Operate jib by radius when main boom is fully extended. Increase boom angle if necessary to maintain load radius.
2. When boom is retracted, operate jib by boom angles. Do not exceed any rated jib capacities at reduced boom lengths.
3. Capacities do not exceed 85% stability.
4. Load ratings above bold line are structurally limited.
5. Personnel handling is allowed only with full span outriggers.
6. Boom load ratings are based on loaded boom radius. Loaded boom angles are given as reference only.



MAIN BOOM LOAD RATINGS WITH MIDSPAN OUTRIGGERS

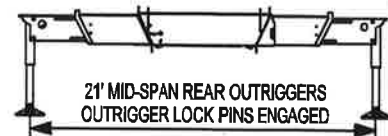
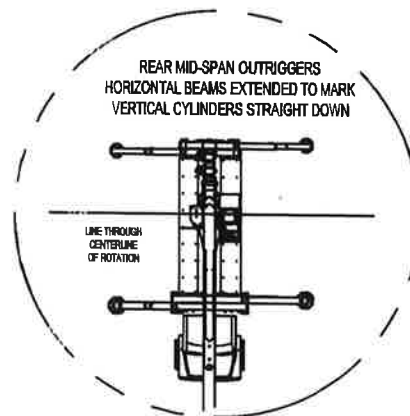
LMI MODE: NONE

LOAD RATINGS IN lbs WITH OUTRIGGERS AND STABILIZERS EXTENDED

LOAD RADIUS IN FEET	LOADED BOOM ANGLE	34-ft	LOADED BOOM ANGLE	A 47-ft	LOADED BOOM ANGLE	B 61-ft	LOADED BOOM ANGLE	C 74-ft	LOADED BOOM ANGLE	D 88-ft	LOADED BOOM ANGLE	E 101-ft	LOADED BOOM ANGLE	F 115-ft	LOADED BOOM ANGLE	G 128-ft	LOADED BOOM ANGLE	H 142-ft	
7	75.4	80,000																	
8	73.2	75,000																	
10	71.0	66,500	76.7	43,000															
12	67.3	56,100	74.3	43,000	79.1	43,000													
15	61.7	49,000	70.5	43,000	76.3	42,400	79.5	36,600											
20	50.9	33,000	63.6	34,000	71.4	34,000	75.7	31,700	78.7	24,900									
25	38.1	17,000	56.0	17,500	66.3	17,900	71.5	24,000	75.2	21,000	77.8	17,500							
30	19.3	11,800	47.8	12,300	60.6	12,700	67.2	13,000	71.7	13,100	75.0	16,000	77.5	13,400	79.3	11,500			
35			38.0	8,800	54.5	9,200	62.8	9,300	68.1	9,500	72.0	9,600	75.0	11,800	77.0	10,100	79.1	6,600	
40			25.2	6,500	48.0	6,600	58.0	6,800	64.4	6,900	68.8	7,100	72.2	8,900	74.9	8,900	77.0	6,600	
45					40.7	5,000	52.9	5,400	60.6	5,500	65.6	5,700	69.8	5,900	72.6	5,900	74.8	5,900	
50					31.9	3,800	47.3	4,200	56.5	4,400	62.3	4,600	67.0	4,700	70.1	4,700	72.7	4,700	
55					19.8	2,800	41.2	3,200	52.3	3,300	59.1	3,500	64.2	3,600	67.6	3,600	70.5	3,600	
60							34.9	2,400	48.0	2,500	55.5	2,600	61.2	2,700	65.0	2,700	68.3	2,700	
65							26.4	1,700	43.0	1,800	51.8	1,900	58.1	2,000	62.4	2,000	65.9	2,000	
70							12.9	1,100	37.3	1,200	47.6	1,300	55.0	1,400	59.7	1,400	63.6	1,400	
75									30.8	800	43.1	900	54.6	1,000	56.9	1,000	61.2	1,000	
80															54.0	700	58.7	700	
	0	10,000	0	4,800	0	2,000	0	600											
DEDUCTIONS FOR STOWED EXTENDABLE JIB (lbs)		950		700		550		450		400		350		300		250		200	DEDUCTIONS FOR STOWED EXTENDABLE JIB (lbs)

NOTE:

- Operate jib by radius when main boom is fully extended.
Increase boom angle if necessary to maintain load radius.
- When boom is retracted, operate jib by boom angles.
Do not exceed any rated jib capacities at reduced boom lengths.
- Do not exceed capacities recommended by ASME/ANSI B30.5.
- Load ratings above bold line are structurally limited.
- Personnel handling is allowed only with full span outriggers.
- Boom load ratings are based on loaded boom radius.
Loaded boom angles are given as reference only.

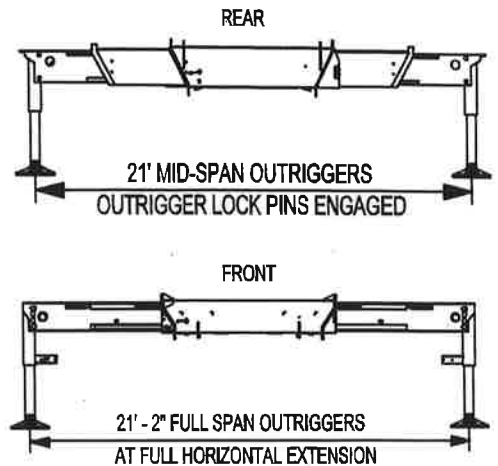
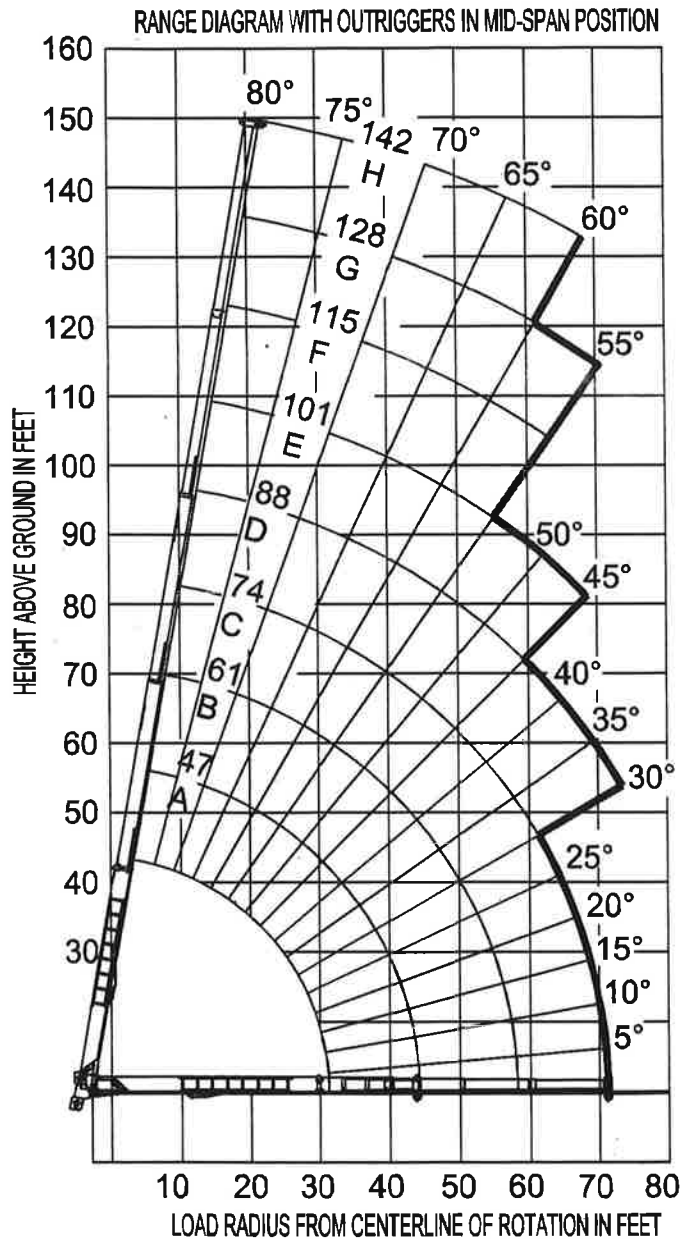


ELLIOTT EQUIPMENT CO. SUPPLIED
LOADLINE EQUIPMENT DEDUCTIONS:

- DOWNHAUL WEIGHT.....210 lbs
- ONE SHEAVE BLOCK.....424 lbs
- TWO SHEAVE BLOCK.....592 lbs
- THREE SHEAVE BLOCK.....639 lbs
- FOUR SHEAVE BLOCK.....762 lbs
- AUXILIARY SHEAVE.....100 lbs

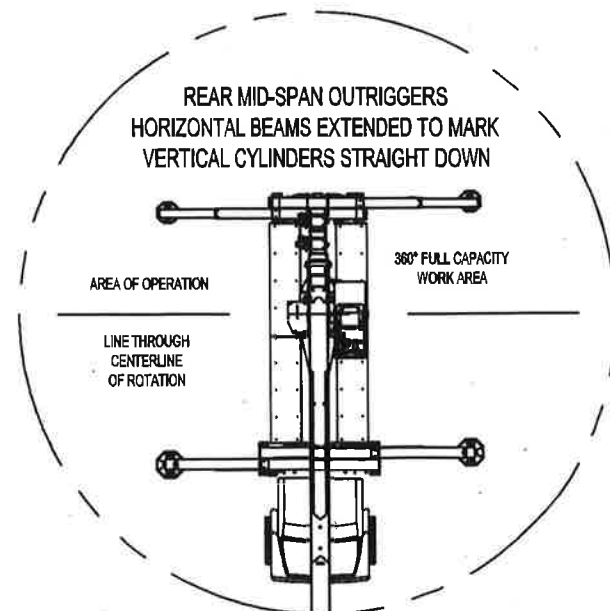
RANGE DIAGRAM WITH MID-SPAN OUTRIGGERS

LMI MODE: NONE



NOTE:

1. Operate jib by radius when main boom is fully extended. Increase boom angle if necessary to maintain load radius.
2. When boom is retracted, operate jib by boom angles. Do not exceed any rated jib capacities at reduced boom lengths.
3. Do not exceed capacities recommended by ASME/ANSI B30.5.
4. Load ratings above bold line are structurally limited.
5. Personnel handling is allowed only with full span outriggers.
6. Boom load ratings are based on loaded boom radius. Loaded boom angles are given as reference only.



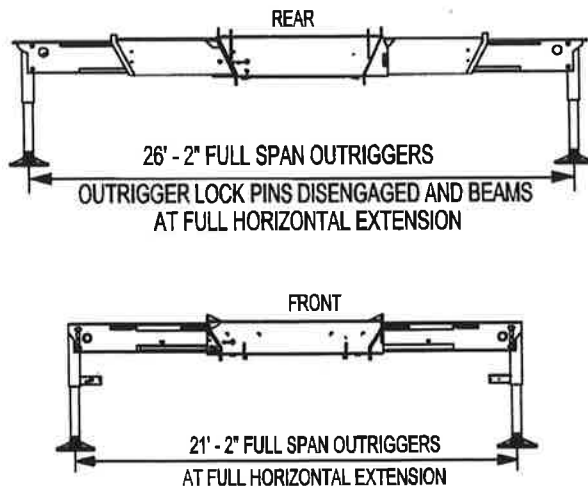
JIB LOAD RATINGS WITH FULLY EXTENDED OUTRIGGERS

LMI MODE: 31'RET & 55'EXT

31'-55' TWO SECTION JIB

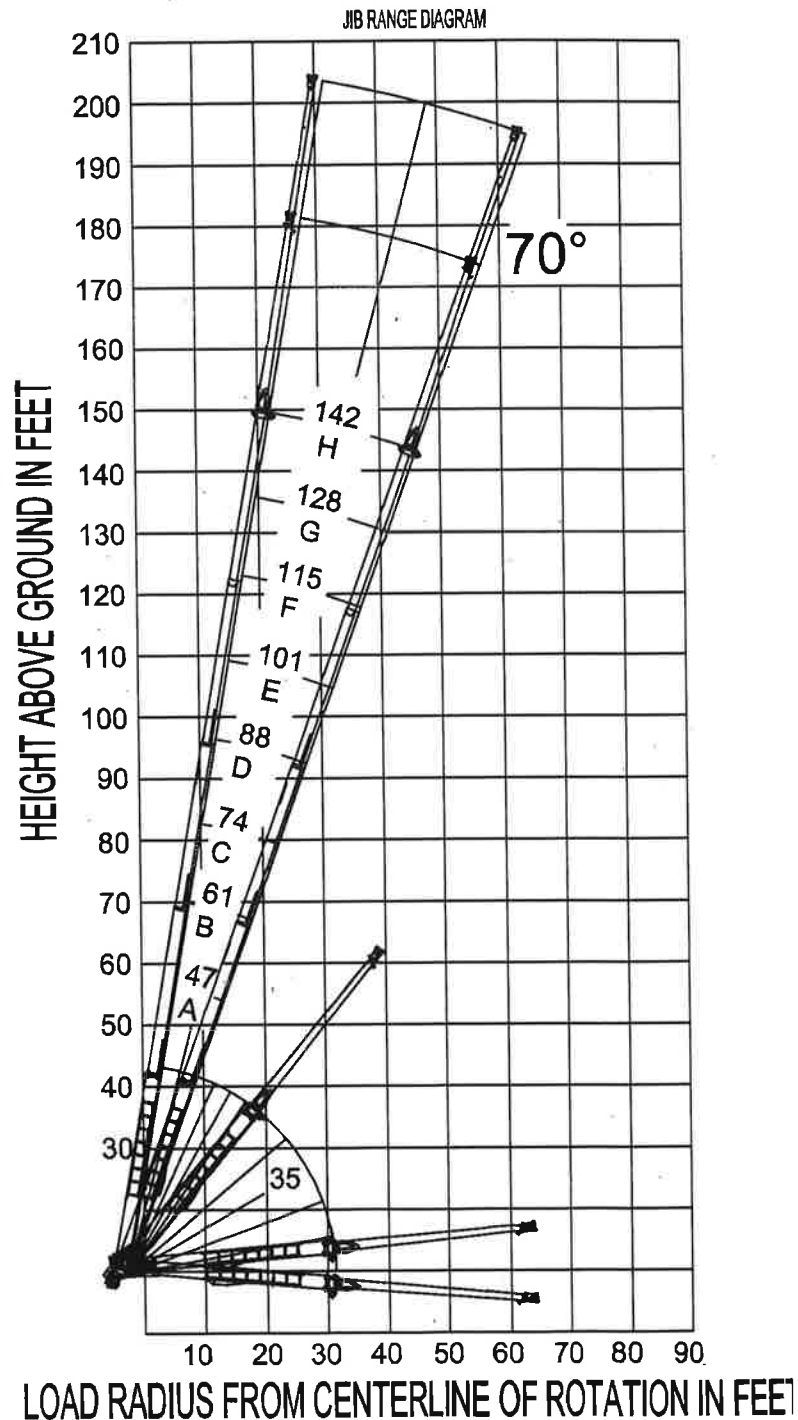
LOAD RADIUS IN FEET	LOADED BOOM ANGLE	31-ft JIB 360°	LOAD RADIUS IN FEET	LOADED BOOM ANGLE	55-ft JIB 360°
33	80	3,600	40	80	2,400
50	75	3,600	59	75	2,400
65	70	1,200	76	70	800
LMI MODE: 31'RET			LMI MODE: 55'EXT		

DO NOT OPERATE JIB IN WINDS EXCEEDING 15MPH



NOTE:

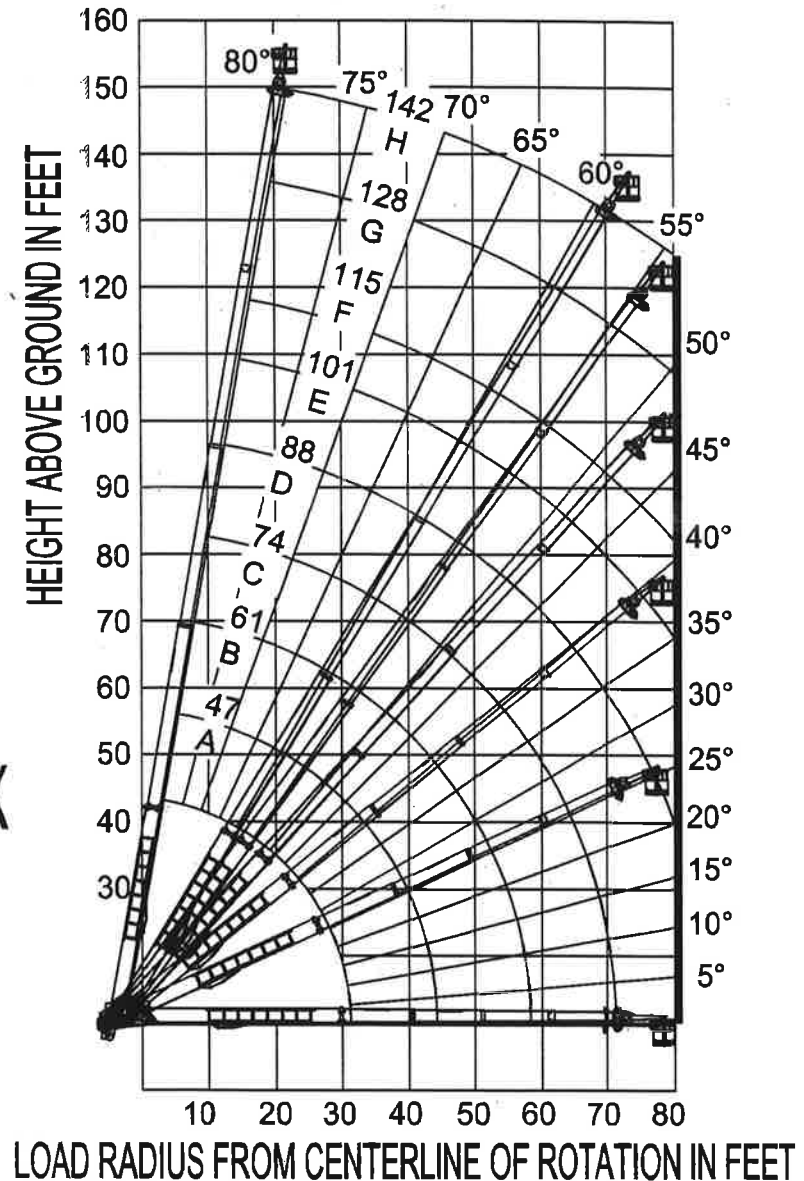
1. Operate jib by radius when main boom is fully extended. Increase boom angle if necessary to maintain load radius.
2. When boom is retracted, operate jib by boom angles. Do not exceed any rated jib capacities at reduced boom lengths.
3. Do not exceed capacities recommended by ASME/ANSI B30.5.
4. Load ratings above bold line are structurally limited.
5. Personnel handling is allowed only with full span outriggers.
6. Boom load ratings are based on loaded boom radius. Loaded boom angles are given as reference only.



BOOM RANGE DIAGRAM WITH PLATFORM ATTACHED

LMI MODE: BSKT1_MB

LOAD RADIUS IN FEET	LOADED BOOM LENGTH	LOADED BOOM ANGLE
81	81	0
77	88	24.9
79	101	38.9
80	115	47.8
80	128	54.0
80	142	58.7



PERSONNEL 600 LBS MAX

**USE OUTRIGGERS
AT ALL TIMES**

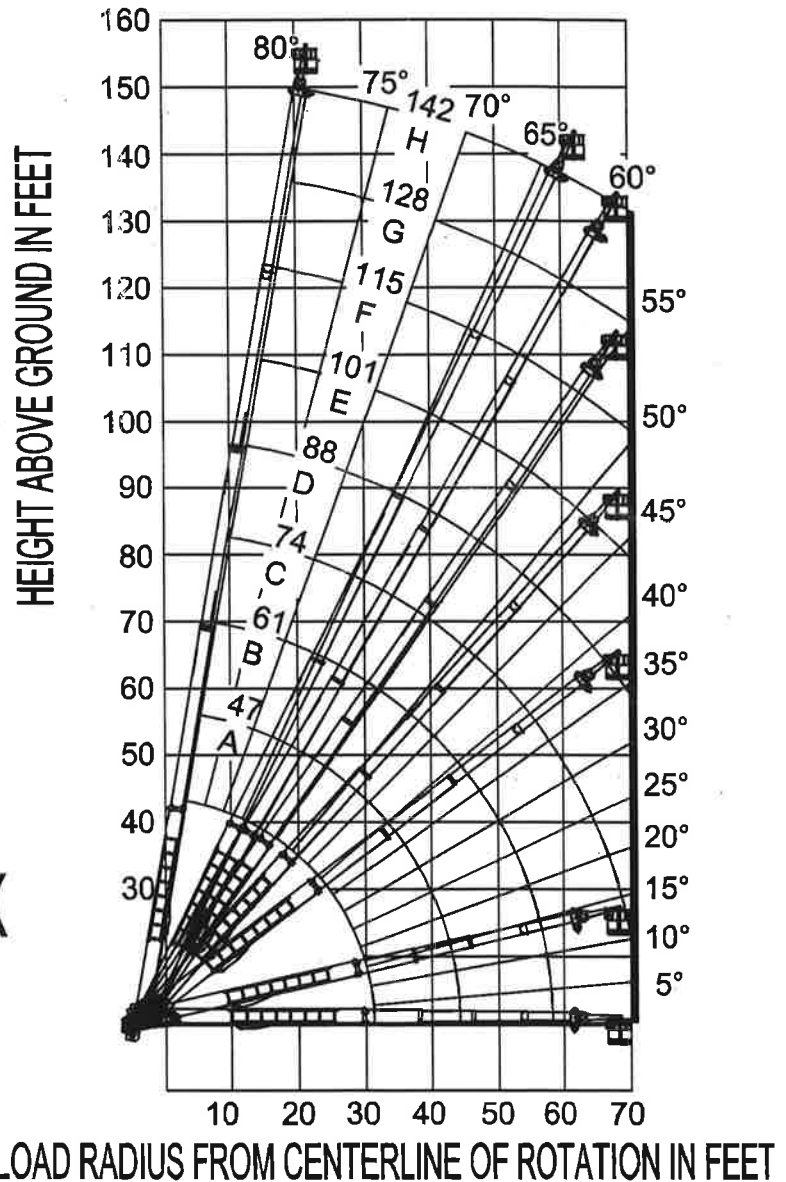
NOTE:

1. Personnel handling is allowed only with full span outriggers.
2. Boom load ratings are based on loaded boom radius.
Loaded boom angles are given as reference only.

BOOM RANGE DIAGRAM WITH PLATFORM ATTACHED

LMI MODE: BSKT2_MB

LOAD RADIUS IN FEET	LOADED BOOM LENGTH	LOADED BOOM ANGLE
72	72	0
70	74	12.9
70	88	37.3
70	101	47.6
70	115	55.0
70	128	59.7
70	142	63.6



PERSONNEL 1200LBS MAX
USE OUTRIGGERS
AT ALL TIMES

NOTE:

1. Personnel handling is allowed only with full span outriggers.
2. Boom load ratings are based on loaded boom radius.
 Loaded boom angles are given as reference only.

2 PIECE FULLY RETRACTED JIB RANGE DIAGRAM WITH PLATFORM ATTACHED

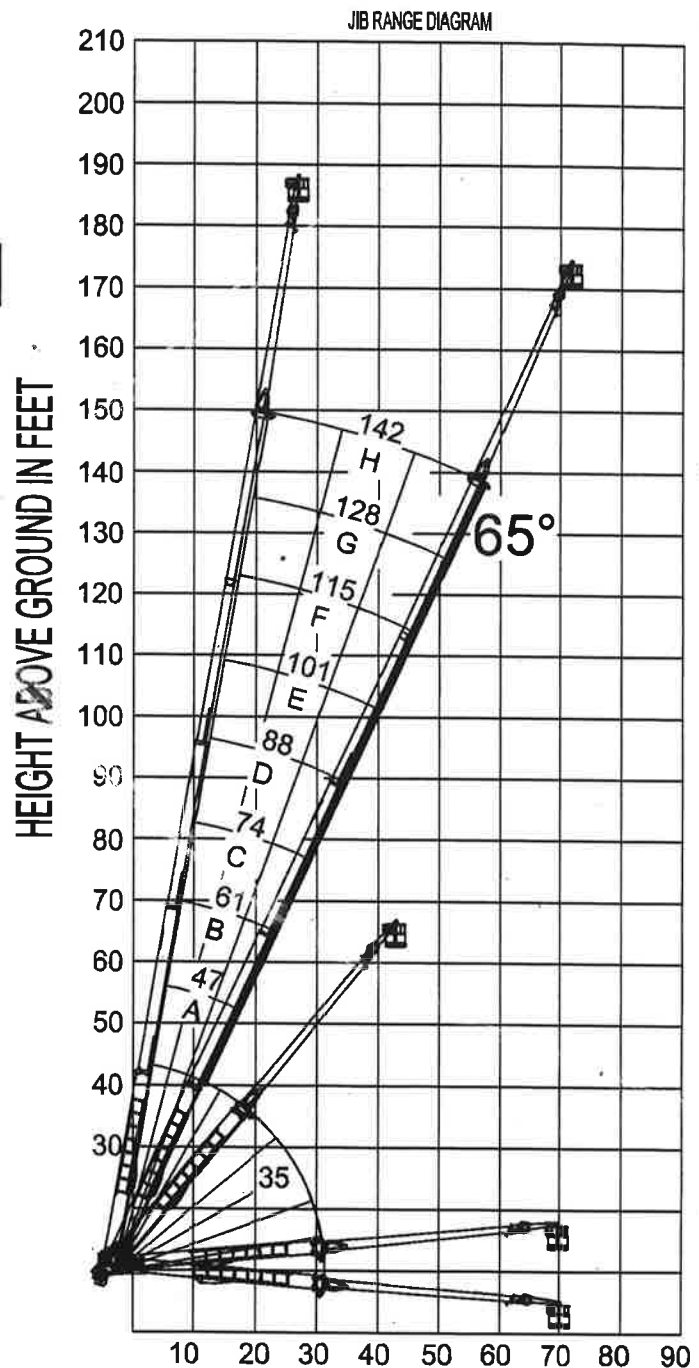
LMI MODE: BSKT1_31'

PERSONNEL 600LBS MAX
DO NOT OPERATE JIB IN
WINDS EXCEEDING 15MPH

USE OUTRIGGERS
AT ALL TIMES

NOTE:

1. Operate jib by radius when main boom is fully extended.
 Increase boom angle if necessary to maintain load radius.
2. When boom is retracted, operate jib by boom angles.
 Do not exceed any rated jib capacities at reduced boom lengths.
3. Do not exceed capacities recommended by ASME/ANSI B30.5.
4. Load ratings above bold line are structurally limited.
5. Personnel handling is allowed only with full span outriggers.
6. Boom load ratings are based on loaded boom radius.
 Loaded boom angles are given as reference only.



2 PIECE FULLY EXTENDED JIB RANGE DIAGRAM WITH PLATFORM ATTACHED

LMI MODE: BSKT1_55'

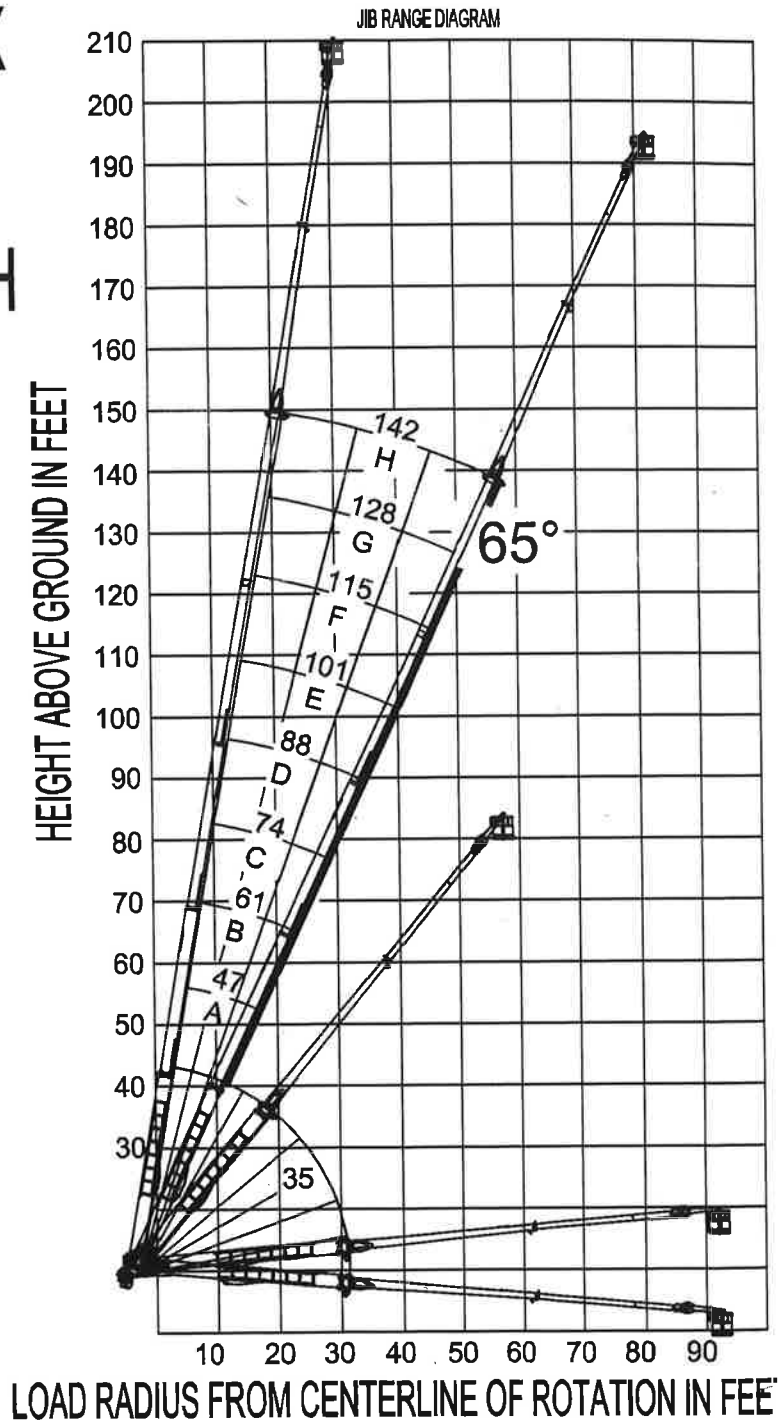
PERSONNEL 600LBS MAX

DO NOT OPERATE JIB IN WINDS EXCEEDING 15MPH

USE OUTRIGGERS AT ALL TIMES

NOTE:

1. Operate jib by radius when main boom is fully extended. Increase boom angle if necessary to maintain load radius.
2. When boom is retracted, operate jib by boom angles. Do not exceed any rated jib capacities at reduced boom lengths.
3. Do not exceed capacities recommended by ASME/ANSI B30.5.
4. Load ratings above bold line are structurally limited.
5. Personnel handling is allowed only with full span outriggers.
6. Boom load ratings are based on loaded boom radius. Loaded boom angles are given as reference only.



2 PIECE FULLY RETRACTED JIB RANGE DIAGRAM WITH PLATFORM ATTACHED

LMI MODE: BSKT2_31'

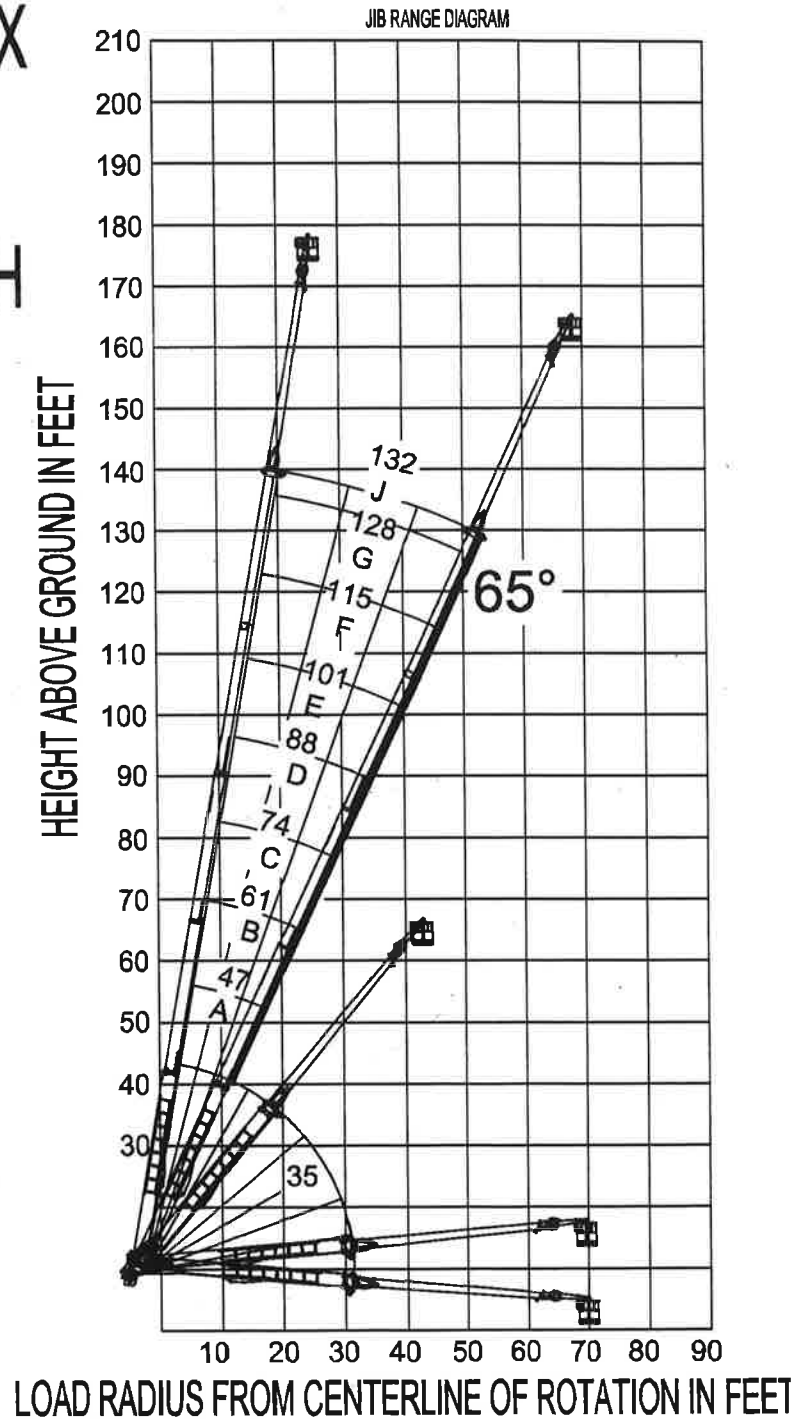
PERSONNEL 1200LBS MAX

DO NOT OPERATE JIB IN
WINDS EXCEEDING 15MPH

USE OUTRIGGERS
AT ALL TIMES

NOTE:

1. Operate jib by radius when main boom is fully extended.
Increase boom angle if necessary to maintain load radius.
2. When boom is retracted, operate jib by boom angles.
Do not exceed any rated jib capacities at reduced boom lengths.
3. Do not exceed capacities recommended by ASME/ANSI B30.5.
4. Load ratings above bold line are structurally limited.
5. Personnel handling is allowed only with full span outriggers.
6. Boom load ratings are based on loaded boom radius.
Loaded boom angles are given as reference only.



2 PIECE FULLY EXTENDED JIB RANGE DIAGRAM WITH PLATFORM ATTACHED

LMI MODE: BSKT2_55'

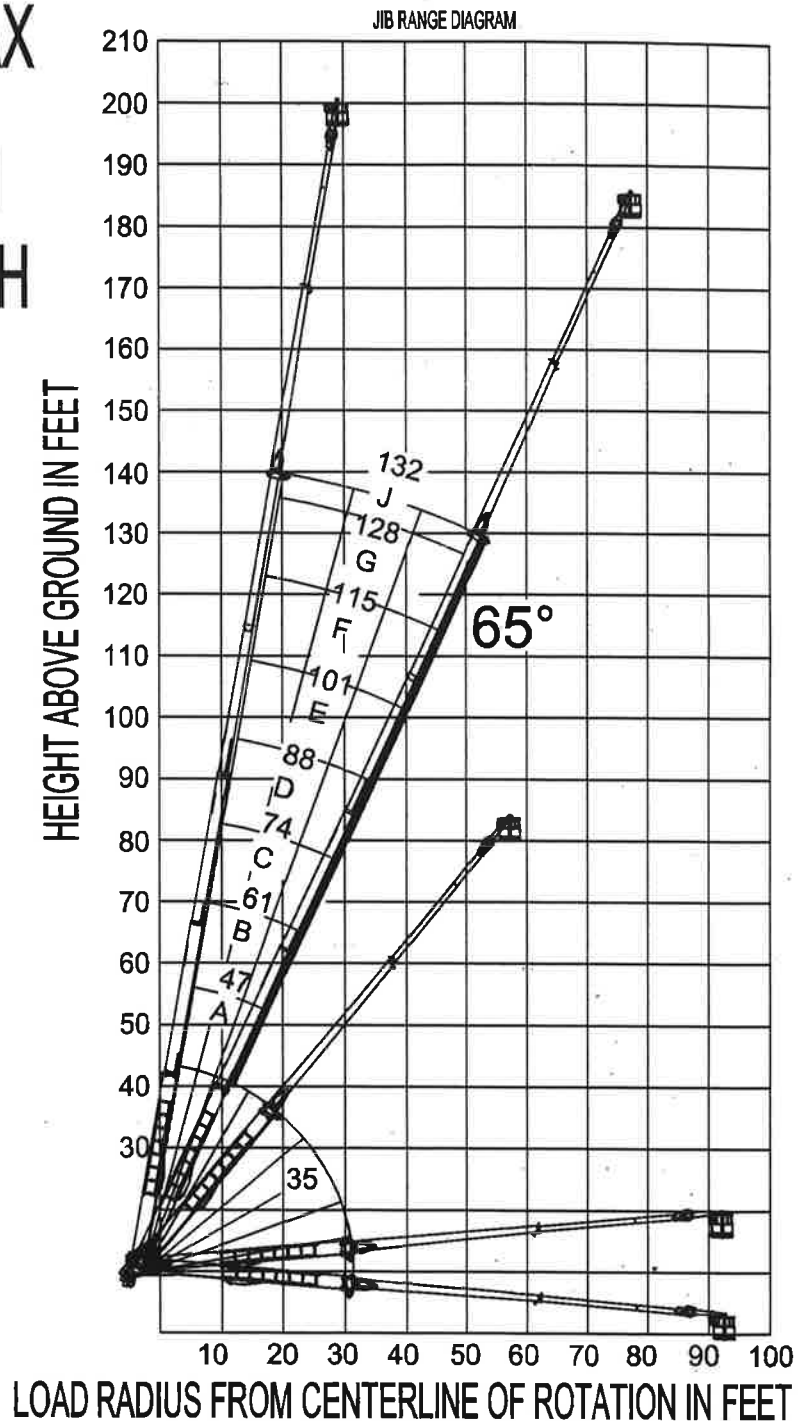
PERSONNEL 1200LBS MAX

**DO NOT OPERATE JIB IN
WINDS EXCEEDING 15MPH**

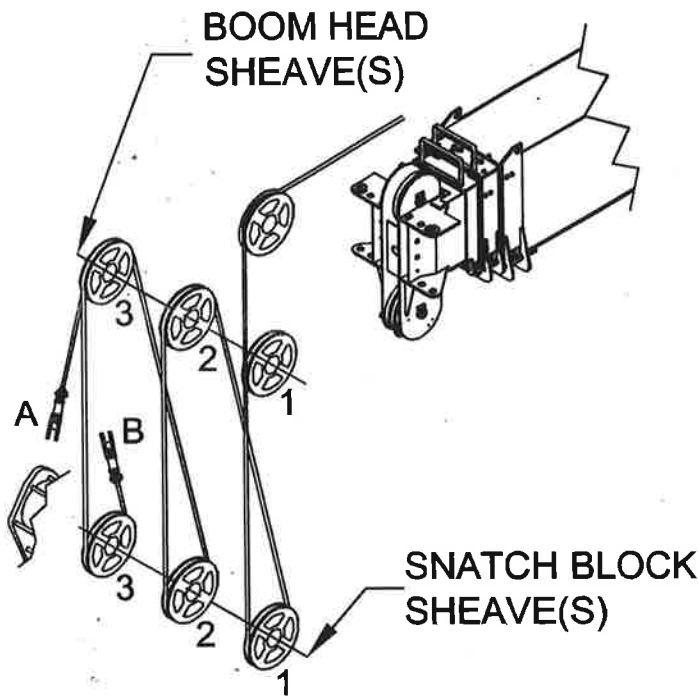
**USE OUTRIGGERS
AT ALL TIMES**

NOTE:

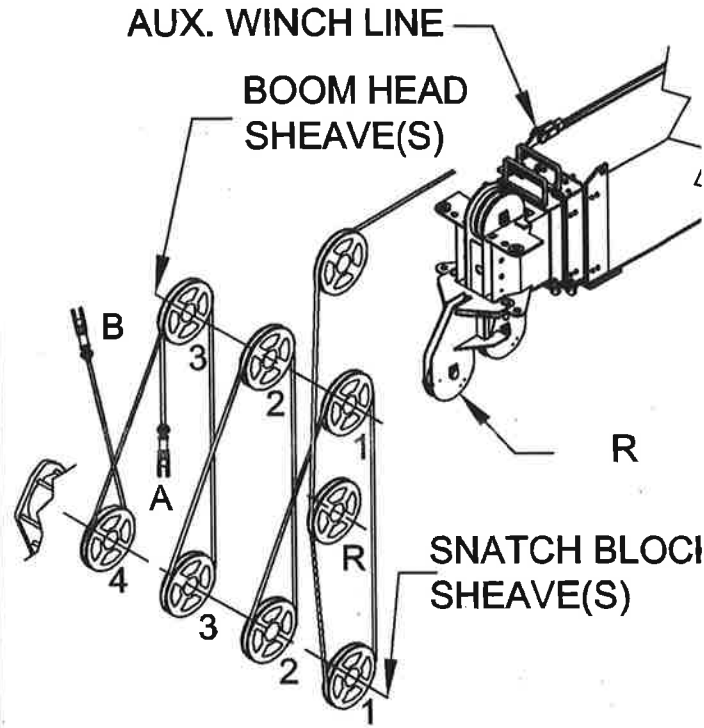
1. Operate jib by radius when main boom is fully extended.
Increase boom angle if necessary to maintain load radius.
2. When boom is retracted, operate jib by boom angles.
Do not exceed any rated jib capacities at reduced boom lengths.
3. Do not exceed capacities recommended by ASME/ANSI B30.5.
4. Load ratings above bold line are structurally limited.
5. Personnel handling is allowed only with full span outriggers.
6. Boom load ratings are based on loaded boom radius.
Loaded boom angles are given as reference only.



PARTS OF LINE



1-6 PARTS OF LINE



7-8 PARTS OF LINE

NOTICE:

- DO NOT DEADHEAD LINE BLOCK AGAINST BOOM TIP WHEN EXTENDING BOOM.
- KEEP AT LEAST 5 WRAPS OF LOADLINE ON THE WINCH DRUM AT ALL TIMES.
- USE ONLY 5/8" DIAMETER WIRE ROPE, AS SPECIFIED, WITH THE PROPER BREAKING STRENGTH LISTED.
- ANTI-TWO-BLOCK SYSTEM MUST BE IN GOOD OPERATING CONDITION BEFORE OPERATING CRANE. SEE OPERATION & SAFETY MANUAL.

PARTS OF LINE	SHEAVE(S) ON BOOM HEAD	SHEAVE(S) ON SNATCH BLOCK	5/8" - SPIN RESISTANT (5:1 S.F.) 56,500-lbs. BREAKING STRENGTH	5/8" - 6X36 IWRC (3.5:1 S.F.) 45,400-lbs. BREAKING STRENGTH
1	1	A	11,300 lbs	12,500 lbs
2	1B	1	22,600 lbs	25,000 lbs
3	12	1A	33,900 lbs	37,500 lbs
4	12B	12	45,200 lbs	50,000 lbs
5	123	12A	56,500 lbs	62,500 lbs
6	123B	123	67,800 lbs	75,000 lbs
7	R123	123A	79,100 lbs	80,000 lbs
8	R123B	1234	80,000 lbs	-

A-DEAD END FOR ODD PARTS OF LINE
 B-DEAD END FOR EVEN PARTS OF LINE
 R-ROOSTER SHEAVE REQUIRED WHEN USING 7 AND 8 PARTS OF LINE